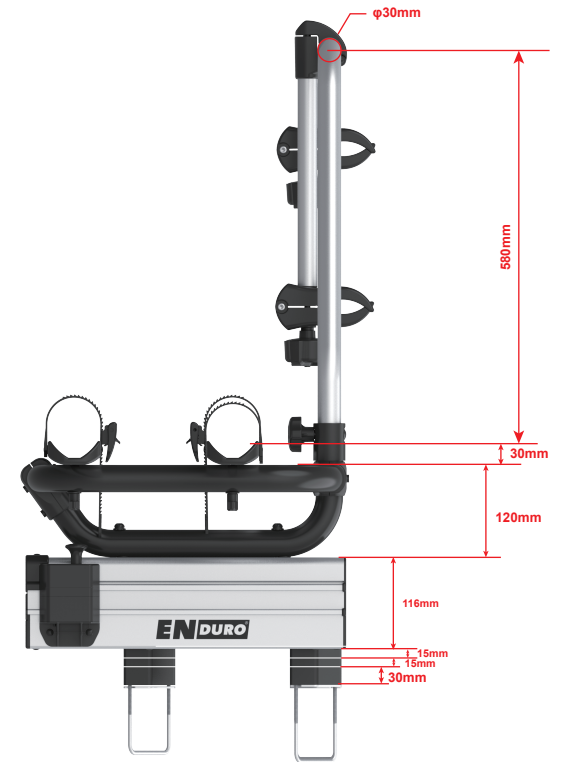
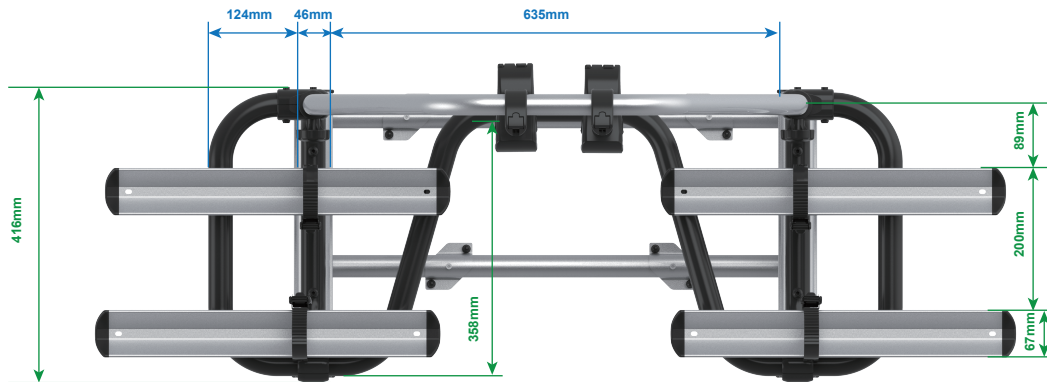


Dimension of BS260

Slided in



Dimension of BS260

Slided out

